

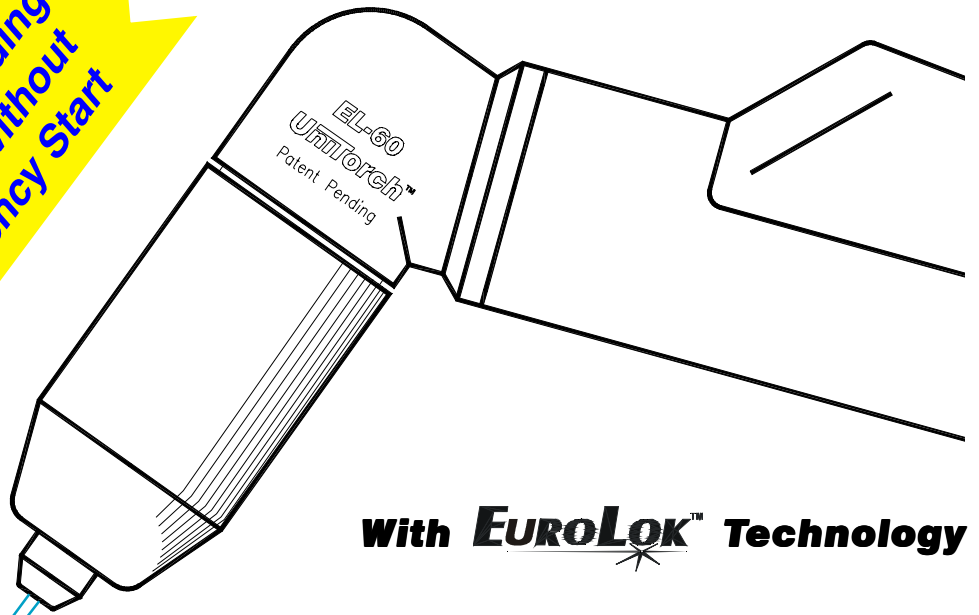
TEC.MO.®

INTRODUCES

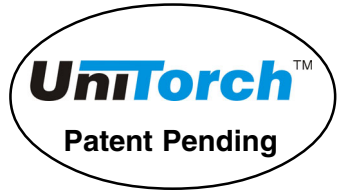
UniTorch™ EL-60

A Single Torch for Any Plasma Systems from 20 to 120 Amp.

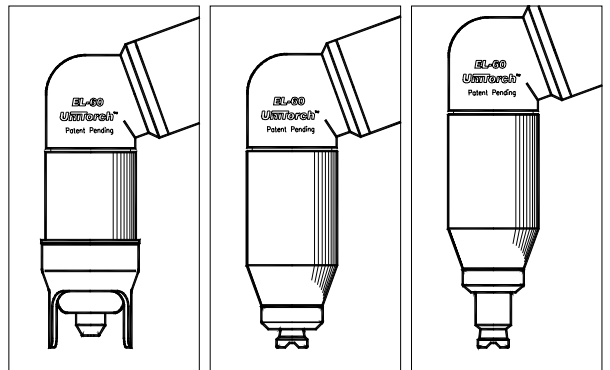
The new Patent Pending torch with and without High Frequency Start



- Higher performances
- Cleaner cut
- Faster speed
- Consumables longer life



Accessories available for any need



UniTorch™

Standard Parts

Contact Parts

Extended Parts

UnitTorch™ EL-60

FEATURES

AND

BENEFITS

- A single **patent pending** plasma cutting torch, **with and without High Frequency**, to retrofit countless power supplies from 20 to 120 Amps , using the same consumables.
- **Reduced inventory.**
- A **patent pending pneumatic ignition system, with a non-move electrode and tip**, allows a perfect spark starting and great reliability.
- More efficient cooling of the torch head, resulting in consumables longer life and better performances.
- **Patented electrode locking** system permitting quick, precise changes of consumable parts with no tools required.
- **Consumable parts patent pending.**
- The torch light and compact design results in maximum arc visibility and excellent operator control for precision plasma cutting.
- Compact, lightweight and long life patented torch head.

EL-60 Plasma Torches ... the perfect solution for OEM's

UnitTorch™ EL-60

Torch Combinations			
EL-60 70° Hand		EL-60 180° Machine	
09200	EL-60, 70°, 4m (13') Leads		
09210	EL-60, 70°, 6m (20') Leads	09220	EL-60, 180°, 6m (20')Leads
09215	EL-60, 70°, 12m (40') Leads	09230	EL-60, 180°, 12m (40')Leads

Torches are supplied with Non - High Frequency Parts

Torch EL-60 Hand / Machine

Part.	Description	Cat. No.
A	O-Ring	07300.60
B	O-Ring	07925.60
C	Electrode, Air/N2	52601
D	Start Cartridge, 20/120 Amp.	07928
E	Gas Distributor, 20/60 Amp.	60060
F	Gas Distributor, 60/120 Amp.	60061
G	Tip, Cutting, Air/N2, 20/30 Amp	51470
	Tip, Cutting, Air/N2, 40 Amp	51471
	Tip, Cutting, Air/N2, 50/60 Amp	51472
H	Tip, Cutting, Air/N2, 60 Amp	51474
	Tip, Cutting, Air/N2, 70 Amp	51475
	Tip, Cutting, Air/N2, 80 Amp	51476
	Tip, Cutting, Air/N2, 90/100 Amp	51477
	Tip, Cutting, Air/N2, 120 Amp	51478
I	Coil Spring	60442
L	Shield Cup, 20/60 Amp.	60480
M	Shield Cup, 60/120 Amp.	60481
N	Double Pointed Spacer	60444

UnitTorch™ EL-60

Replacement Hand Torch Parts EL-60

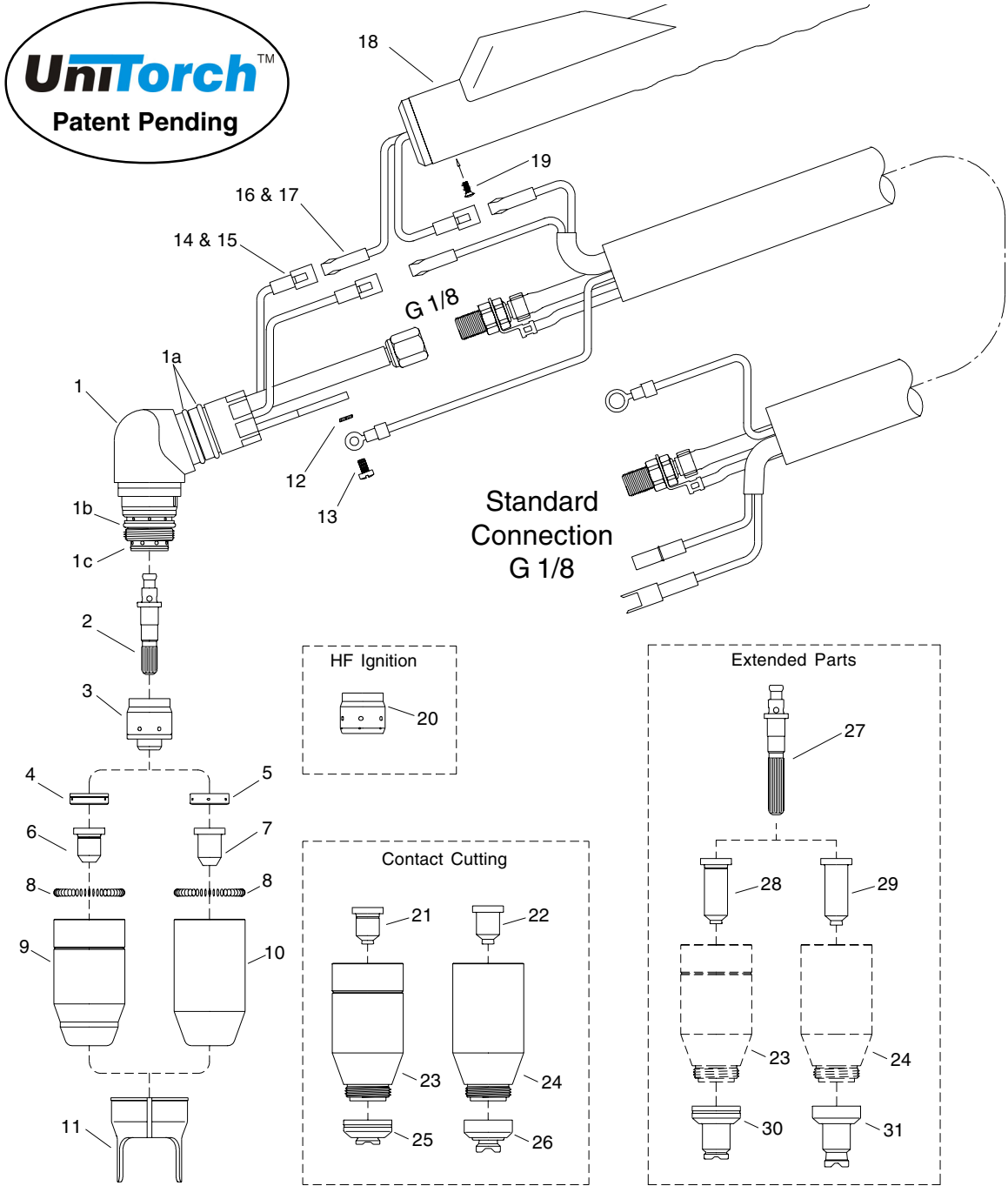


Figure 1-1 EL-60 - Hand Torch - Exploded View

Torches and Leads

EL-60	70° Hand Torch, 4m (13 ft) Leads	09200
EL-60	70° Hand Torch, 6m (20 ft) Leads	09210
EL-60	70° Hand Torch, 12m (40 ft) Leads	09215
EL-60	70° Lead Assembly, 4m (13 ft) Length	09280
EL-60	70° Lead Assembly, 6m (20 ft) Length	09285
EL-60	70° Lead Assembly, 12m (40 ft) Length	09287

UnitTorch™ EL-60

Replacement Hand Torch Parts EL-60

Item #	Qty	Description	Catalog #
1	1	EL-60 70° Torch Head	07925
1a	2	O-Ring	07100.53
1b	1	O-Ring	07300.60
1c	1	O-Ring	07925.60
2	1	Electrode, Air/N2	52601
3	1	Start Cartridge, 20/120 Amp.	07928
4	1	Gas Distributor, 20/60 Amp.	60060
5	1	Gas Distributor, 60/120 Amp.	60061
6	1	Tip, Cutting, Air/N2, 20/30 Amp	51470
	1	Tip, Cutting, Air/N2, 40 Amp	51471
	1	Tip, Cutting, Air/N2, 50/60 Amp	51472
7	1	Tip, Cutting, Air/N2, 60 Amp	51474
	1	Tip, Cutting, Air/N2, 70 Amp	51475
	1	Tip, Cutting, Air/N2, 80 Amp	51476
	1	Tip, Cutting, Air/N2, 90/100 Amp	51477
	1	Tip, Cutting, Air/N2, 120 Amp	51478
8	1	Coil Spring	60442
9	1	Shield Cup, Standard 20/60 Amp. (including Item # 8)	60480
10	1	Shield Cup, Standard 60/120 Amp. (including Item # 8)	60481
11	1	Double Pointed Spacer	60444
12	1	Panhead Screw M3 x 6mm UNI7687	See Note
13	1	Internal Star Washer A3 UNI8842	See Note
14	3	Pin Housing	9-8111
15	3	Pin	9-8101
16	3	Socket Housing	9-8112
17	3	Socket	9-8102
18	1	Handle with Micro-switch	07106E
19	1	Panhead Screw M3 x 8mm UNI7689	See Note

NOTE: Item can be purchased locally

Accessories

Item #	Qty	Description	Catalog #
20	1	Insulator HF, 20/120 Amp.	07929
21	1	Contact Tip, Air/N2, 20/30 Amp	51480
	1	Contact Tip, Air/N2, 40 Amp	51481
	1	Contact Tip, Air/N2, 50/60 Amp	51482
22	1	Contact Tip, Air/N2, 60 Amp	51484
	1	Contact Tip, Air/N2, 70 Amp	51485
	1	Contact Tip, Air/N2, 80 Amp	51486
	1	Contact Tip, Air/N2, 90/100 Amp	51487
	1	Contact Tip, Air/N2, 120 Amp	51488
23	1	Shield Cup Body, 20/60 Amp. (including Item # 8)	60482
24	1	Shield Cup Body, 60/120 Amp. (including Item # 8)	60483
25	1	Shield Cap, Hand, 20/60 Amp.	60485
26	1	Shield Cap, Hand, 60/120 Amp.	60486

27	1	Extended Electrode, Air/N2	52602
28	1	Extended Contact Tip, Air/N2, 20/30 Amp	51490
	1	Extended Contact Tip, Air/N2, 40 Amp	51491
	1	Extended Contact Tip, Air/N2, 50/60 Amp	51492
29	1	Extended Contact Tip, Air/N2, 60 Amp	51493
	1	Extended Contact Tip, Air/N2, 70 Amp	51494
	1	Extended Contact Tip, Air/N2, 80 Amp	51495
	1	Extended Contact Tip, Air/N2, 90/100 Amp	51496
	1	Extended Contact Tip, Air/N2, 120 Amp	51497
30	1	Extended Shield Cap, Hand, 20/60 Amp.	60490
31	1	Extended Shield Cap, Hand, 60/120 Amp.	60491
N/S	1	Circle Cutting Attachment	51864

UniTorch™ EL-60

Replacement Machine Torch Parts EL-60

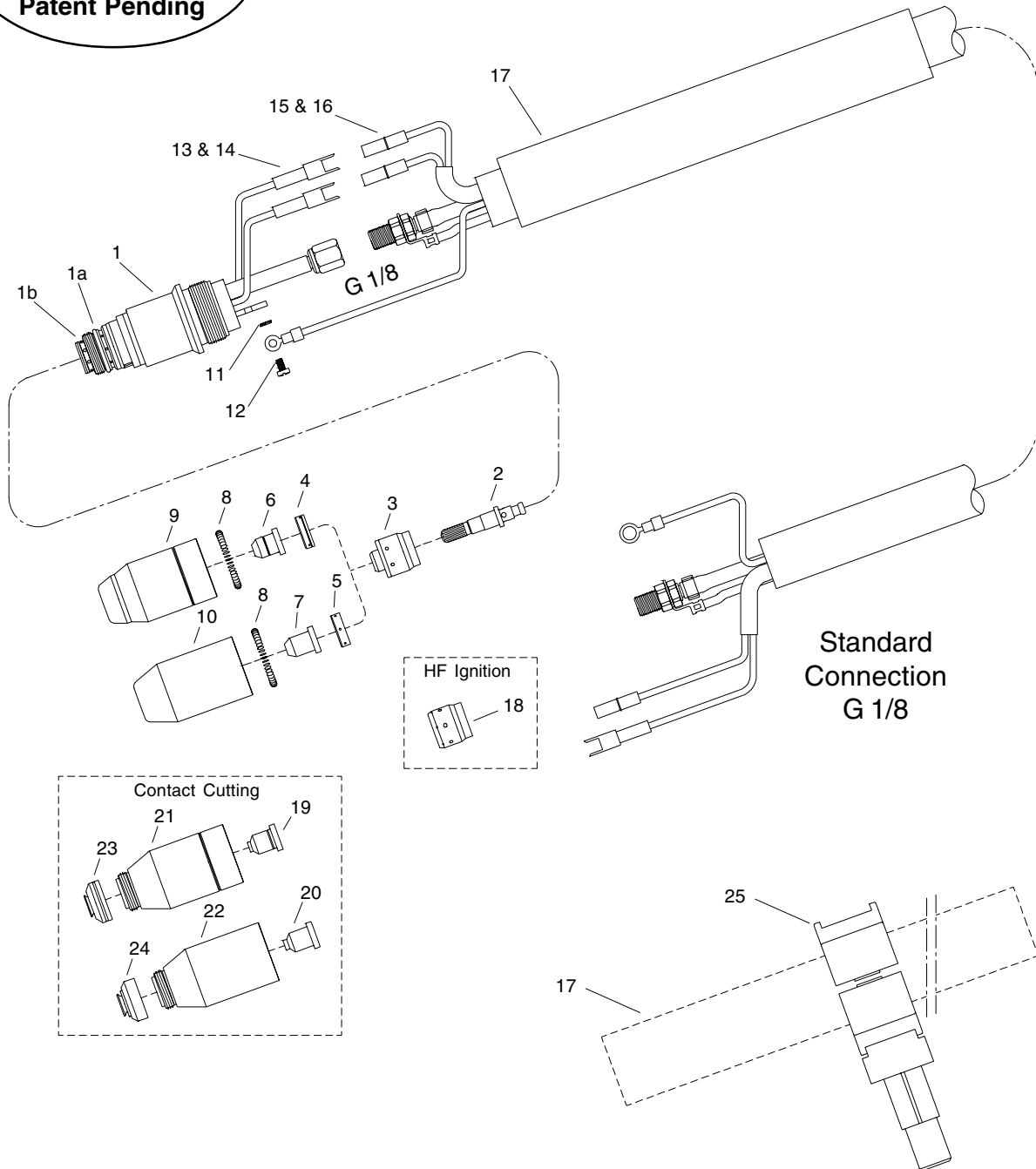


Figure 2-1 EL-60 - MachineTorch - Exploded View

UnitTorch™ EL-60

Replacement Machine Torch Parts EL-60

Item #	Qty	Description	Catalog #
1	1	EL-60 180° Torch Head	07926
1a	1	O-Ring	07300.60
1b	1	O-Ring	07925.60
2	1	Electrode, Air/N2	52601
3	1	Start Cartridge, 20/120 Amp.	07928
4	1	Gas Distributor, 20/60 Amp.	60060
5	1	Gas Distributor, 60/120 Amp.	60061
6	1	Tip, Cutting, Air/N2, 20/30 Amp	51470
	1	Tip, Cutting, Air/N2, 40 Amp	51471
	1	Tip, Cutting, Air/N2, 50/60 Amp	51472
7	1	Tip, Cutting, Air/N2, 60 Amp	51474
	1	Tip, Cutting, Air/N2, 70 Amp	51475
	1	Tip, Cutting, Air/N2, 80 Amp	51476
	1	Tip, Cutting, Air/N2, 90/100 Amp	51477
	1	Tip, Cutting, Air/N2, 120 Amp	51478
8	1	Coil Spring	60442
9	1	Shield Cup, Standard 20/60 Amp. (including Item # 8)	60480
10	1	Shield Cup, Standard 60/120 Amp. (including Item # 8)	60481
11	1	Panhead Screw M3 x 6mm UNI7687	See Note
12	1	Internal Star Washer A3 UNI8842	See Note
13	2	Pin Housing	9-5577
14	2	Pin	9-4651
15	2	Socket Housing	9-5578
16	2	Socket	9-5764
17	1	Fiberglass Positioning Tube	07215

NOTE: Item can be purchased locally

Torches and Leads

Item #	Qty	Description	Catalog #
		EL-60 180° Machine Torch, 6m (20 ft) Leads	09220
		EL-60 180° Machine Torch, 12m (40 ft) Leads	09230
		EL-60 180° Lead Assembly, 6m (20 ft) Length	09290
		EL-60 180° Lead Assembly, 12m (40 ft) Length	09295

Accessories

Item #	Qty	Description	Catalog #
18	1	Insulator HF, 20/120 Amp.	07929
19	1	Contact Tip, Air/N2, 20/30 Amp	51480
	1	Contact Tip, Air/N2, 40 Amp	51481
	1	Contact Tip, Air/N2, 50/60 Amp	51482
20	1	Contact Tip, Air/N2, 60 Amp	51484
	1	Contact Tip, Air/N2, 70 Amp	51485
	1	Contact Tip, Air/N2, 80 Amp	51486
	1	Contact Tip, Air/N2, 90/100 Amp	51487
	1	Contact Tip, Air/N2, 120 Amp	51488
21	1	Shield Cup Body, 20/60 Amp. (including Item # 8)	60482
22	1	Shield Cup Body, 60/120 Amp. (including Item # 8)	60483
23	1	Shield Cap, Machine, 20/60 Amp.	60487
24	1	Shield Cap, Machine, 60/120 Amp.	60488
25	1	Mounting Block	07217

April 18, 2006

UniTorch™ EL-60

EL-60

**The “new revolution” in
Plasma Torches has begun...**

TECMO S.r.l.

Via Rio Fabbiani 8
40067 RASTIGNANO - BOLOGNA - ITALY
Tel. 051 - 743.123 / Fax: 051 - 743.758
www.tecmo.it - e-mail tecmo@tecmo.it