

TEC.MO.®

INTRODUCES

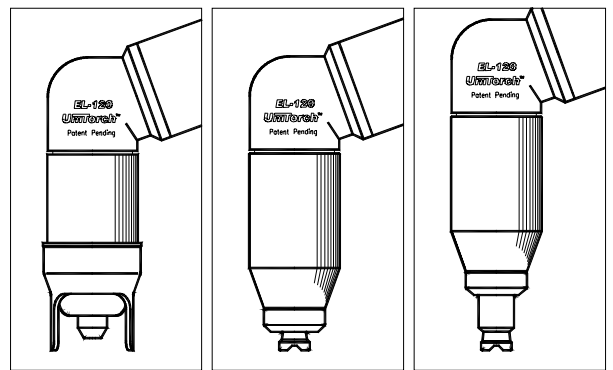
UniTorch™ EL-120

**A Single RPT Torch for
Any Plasma Systems from 30 to 120 Amp.**



- Higher performances
- Cleaner cut
- Faster speed
- Consumables longer life

Accessories available for any need



UniTorch™

Standard Parts

Contact Parts

Extended Parts

UnitTorch™ EL-120

FEATURES

AND

BENEFITS

- A single **patent pending** plasma cutting torch, **with and without High Frequency**, to retrofit countless power supplies from 30 to 120 Amps , using the same consumables.
- **Reduced inventory.**
- A **patent pending pneumatic ignition system, with a non-move electrode and tip**, allows a perfect spark starting and great reliability.
- More efficient cooling of the torch head, resulting in consumables longer life and better performances.
- **Patented electrode locking** system permitting quick, precise changes of consumable parts with no tools required.
- **Consumable parts patent pending.**
- The torch light and compact design results in maximum arc visibility and excellent operator control for precision plasma cutting.
- Compact, lightweight and long life patented torch head.

EL-120 Replacement Plasma Torches ...
the perfect solution for Repair Service Centers

UniTorch™ EL-120

Torch Combinations			
EL-120 70° Hand		EL-120 180° Machine	
09000	EL-120, 70°, 6m (20') Leads	09020	EL-120, 180°, 6m (20') Leads
09010	EL-120, 70°, 12m (40') Leads	09030	EL-120, 180°, 12m (40') Leads

Torches are supplied with Non - High Frequency Parts

Torch EL-120 Hand / Machine

Part.	Description	Cat. No.
A	O-Ring	07300.60
B	O-Ring	07920.60
C	Electrode, Air/N2	52600
D	Start Cartridge, 30/120 Amp.	07923
E	Gas Distributor, 30/60 Amp.	60060
F	Gas Distributor, 60/120 Amp.	60061
G	Tip, Cutting, Air/N2, 30 Amp	51470
	Tip, Cutting, Air/N2, 40 Amp	51471
	Tip, Cutting, Air/N2, 50/60 Amp	51472
H	Tip, Cutting, Air/N2, 60 Amp	51474
	Tip, Cutting, Air/N2, 70 Amp	51475
	Tip, Cutting, Air/N2, 80 Amp	51476
	Tip, Cutting, Air/N2, 90/100 Amp	51477
	Tip, Cutting, Air/N2, 120 Amp	51478
I	Coil Spring	60442
L	Shield Cup, 30/60 Amp.	60480
M	Shield Cup, 60/120 Amp.	60481
N	Double Pointed Spacer	60444



UnitTorch™ EL-120

Replacement Hand Torch Parts EL-120

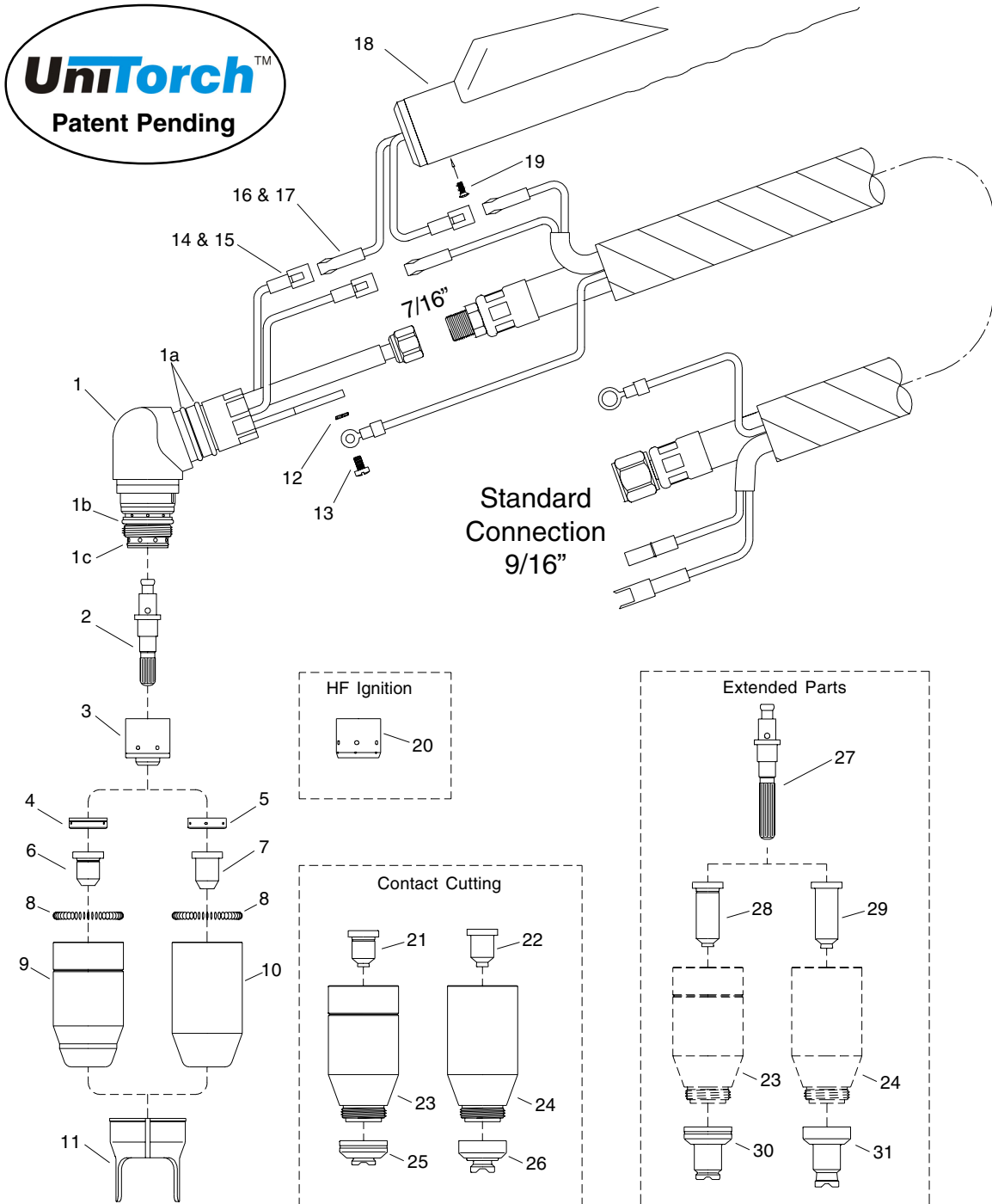


Figure 1-1 EL-120 - Hand Torch - Exploded View

Torches and Leads

EL-120	70° Hand Torch, 6m (20 ft) Leads	09000
EL-120	70° Hand Torch, 12m (40 ft) Leads	09010
EL-120	70° Lead Assembly, 6m (20 ft) Length	09080
EL-120	70° Lead Assembly, 12m (40 ft) Length	09085

UnitTorch™ EL-120

Replacement Hand Torch Parts EL-120

Item #	Qty	Description	Catalog #
1	1	EL-120 70° Torch Head	07920
1a	2	O-Ring	07100.53
1b	1	O-Ring	07300.60
1c	1	O-Ring	07920.60
2	1	Electrode, Air/N2	52600
3	1	Start Cartridge, 30/120 Amp.	07923
4	1	Gas Distributor, 30/60 Amp.	60060
5	1	Gas Distributor, 60/120 Amp.	60061
6	1	Tip, Cutting, Air/N2, 30 Amp	51470
	1	Tip, Cutting, Air/N2, 40 Amp	51471
	1	Tip, Cutting, Air/N2, 50/60 Amp	51472
7	1	Tip, Cutting, Air/N2, 60 Amp	51474
	1	Tip, Cutting, Air/N2, 70 Amp	51475
	1	Tip, Cutting, Air/N2, 80 Amp	51476
	1	Tip, Cutting, Air/N2, 90/100 Amp	51477
	1	Tip, Cutting, Air/N2, 120 Amp	51478
8	1	Coil Spring	60442
9	1	Shield Cup, Standard 30/60 Amp. (including Item # 8)	60480
10	1	Shield Cup, Standard 60/120 Amp. (including Item # 8)	60481
11	1	Double Pointed Spacer	60444
12	1	Panhead Screw M3 x 6mm UNI7687	See Note
13	1	Internal Star Washer A3 UNI8842	See Note
14	3	Pin Housing	9-8111
15	3	Pin	9-8101
16	3	Socket Housing	9-8112
17	3	Socket	9-8102
18	1	Handle with Micro-switch	07106E
19	1	Panhead Screw M3 x 8mm UNI7689	See Note

NOTE: Item can be purchased locally

Accessories

Item #	Qty	Description	Catalog #
20	1	Insulator HF, 30/120 Amp.	07924
21	1	Contact Tip, Air/N2, 30 Amp	51480
	1	Contact Tip, Air/N2, 40 Amp	51481
	1	Contact Tip, Air/N2, 50/60 Amp	51482
22	1	Contact Tip, Air/N2, 60 Amp	51484
	1	Contact Tip, Air/N2, 70 Amp	51485
	1	Contact Tip, Air/N2, 80 Amp	51486
	1	Contact Tip, Air/N2, 90/100 Amp	51487
	1	Contact Tip, Air/N2, 120 Amp	51488
23	1	Shield Cup Body, 30/60 Amp. (including Item # 8)	60482
24	1	Shield Cup Body, 60/120 Amp. (including Item # 8)	60483
25	1	Shield Cap, Hand, 30/60 Amp.	60485
26	1	Shield Cap, Hand, 60/120 Amp.	60486

27	1	Extended Electrode, Air/N2	52603
28	1	Extended Contact Tip, Air/N2, 30 Amp	51490
	1	Extended Contact Tip, Air/N2, 40 Amp	51491
	1	Extended Contact Tip, Air/N2, 50/60 Amp	51492
29	1	Extended Contact Tip, Air/N2, 60 Amp	51493
	1	Extended Contact Tip, Air/N2, 70 Amp	51494
	1	Extended Contact Tip, Air/N2, 80 Amp	51495
	1	Extended Contact Tip, Air/N2, 90/100 Amp	51496
	1	Extended Contact Tip, Air/N2, 120 Amp	51497
30	1	Extended Shield Cap, Hand, 30/60 Amp.	60490
31	1	Extended Shield Cap, Hand, 60/120 Amp.	60491
N/S	1	Circle Cutting Attachment	51864

UnitTorch™ EL-120

Replacement Machine Torch Parts EL-120

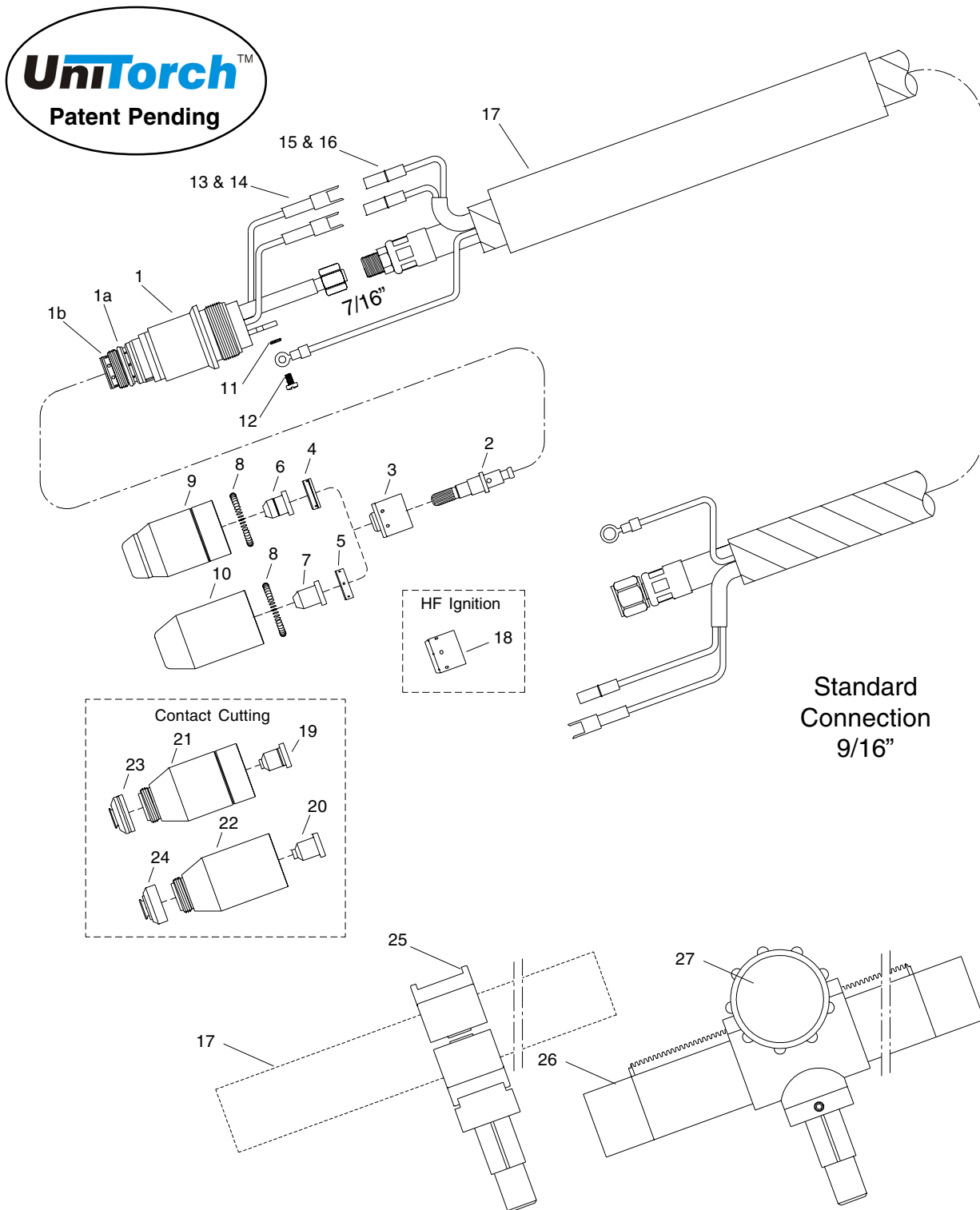


Figure 2-1 EL-120 - MachineTorch - Exploded View

UnitTorch™ EL-120

Replacement Machine Torch Parts EL-120

Item #	Qty	Description	Catalog #
1	1	EL-120 180° Torch Head	07921
1a	1	O-Ring	07300.60
1b	1	O-Ring	07920.60
2	1	Electrode, Air/N2	52600
3	1	Start Cartridge, 30/120 Amp.	07923
4	1	Gas Distributor, 30/60 Amp.	60060
5	1	Gas Distributor, 60/120 Amp.	60061
6	1	Tip, Cutting, Air/N2, 30 Amp	51470
	1	Tip, Cutting, Air/N2, 40 Amp	51471
	1	Tip, Cutting, Air/N2, 50/60 Amp	51472
7	1	Tip, Cutting, Air/N2, 60 Amp	51474
	1	Tip, Cutting, Air/N2, 70 Amp	51475
	1	Tip, Cutting, Air/N2, 80 Amp	51476
	1	Tip, Cutting, Air/N2, 90/100 Amp	51477
	1	Tip, Cutting, Air/N2, 120 Amp	51478
8	1	Coil Spring	60442
9	1	Shield Cup, Standard 30/60 Amp. (including Item # 8)	60480
10	1	Shield Cup, Standard 60/120 Amp. (including Item # 8)	60481
11	1	Panhead Screw M3 x 6mm UNI7687	See Note
12	1	Internal Star Washer A3 UNI8842	See Note
13	2	Pin Housing	9-5577
14	2	Pin	9-4651
15	2	Socket Housing	9-5578
16	2	Socket	9-5764
17	1	Fiberglass Positioning Tube	07215

NOTE: Item can be purchased locally

Torches and Leads

Item #	Qty	Description	Catalog #
		EL-120 180° Machine Torch, 6m (20 ft) Leads	09020
		EL-120 180° Machine Torch, 12m (40 ft) Leads	09030
		EL-120 180° Lead Assembly, 6m (20 ft) Length	09090
		EL-120 180° Lead Assembly, 12m (40 ft) Length	09095

Accessories

Item #	Qty	Description	Catalog #
18	1	Insulator HF, 30/120 Amp.	07924
19	1	Contact Tip, Air/N2, 30 Amp	51480
	1	Contact Tip, Air/N2, 40 Amp	51481
	1	Contact Tip, Air/N2, 50/60 Amp	51482
20	1	Contact Tip, Air/N2, 60 Amp	51484
	1	Contact Tip, Air/N2, 70 Amp	51485
	1	Contact Tip, Air/N2, 80 Amp	51486
	1	Contact Tip, Air/N2, 90/100 Amp	51487
	1	Contact Tip, Air/N2, 120 Amp	51488
21	1	Shield Cup Body, 30/60 Amp. (including Item # 8)	60482
22	1	Shield Cup Body, 60/120 Amp. (including Item # 8)	60483
23	1	Shield Cap, Machine, 30/60 Amp.	60487
24	1	Shield Cap, Machine, 60/120 Amp.	60488
25	1	Mounting Block	07217
26	1	Fiberglass Positioning Tube with Rack	07216
27	1	Pinion Assembly	7-2827

UnitTorch™ EL-120

EL-120

Manufacturer Power Supply Model	Catalog Number
------------------------------------	-------------------

CEBORA	
P35, P50	7-3438EL
BINZEL	
PSB 30	7-3472EL
PSB 31, PSB 60/80	7-3473EL
ESAB	
Sidewinder 50,105	7-3434EL
HYPERTHERM	
Max 40 (H/F start),Max 80, Max 100	7-3430EL
L-TEC	
PCS-40	7-3430EL
PCM-101	7-3436EL
MILLER	
Spectrum 700,1000,1250,PLUS	7-3430EL
NU-TECSYS	
Omnicut 375	7-3438EL
POWCON	
Starcut	7-3430EL
SAF	
CP40, CP100R	7-3471EL

Manufacturer Power Supply Model	Catalog Number
------------------------------------	-------------------

THERMAL DYNAMICS	
(PAK-) 3XR, 5XT, 5XR, 6XR, 7XR,	7-3434EL
(PAK-) 625XR, 750XR, 8XR,10XR,	
(PAK-) 1000XR, 1250XR	
PAK-10	7-3436EL
PAK-4Xi, PAK-6Xi, 2XT-220 Dynapak 110	7-3443EL
PAK-5	7-3444EL
Pak Master XL Series	7-3447EL
Pak Master XL Plus Series	
Cut Master 80XL	7-3448EL
Mechanized Pak Master XL Series	
Mechanized Pak Master XL Plus Series	
Mechanized Cut Master 80XL	
TRAFIMET	
A60, A80, A81	7-3473EL
A90, A101	7-3474EL
Euro Connector	7-3470EL

Each Adapter Kit includes connection fitting, electrical connectors, and installation instruction sheets for the selected power supply.

NOTE: The maximum current output of some of the Power Supplies listed can exceed the maximum rating of the torch. Do not operate the selected RPT Replacement Torch at current levels above the rating of the torch.

NOTE : CEBORA is a registered trademark of Cebora S.p.a. , BINZEL is a registered trademark of Binzel Welding and Cutting Products, ESAB is a registered trademark of ESAB Welding and Cutting Products, HYPERTHERM is a registered trademark of Hypertherm Inc. , L-TEC is a registered trademark of L-TEC Welding and Cutting Products, MILLER is a registered trademark of Miller Electric Mfg. Co. , NU-TECSYS is a registered trademark of Nu-Tecsyst Inc. , SAF is a registered trademark of Saf Welding and Cutting Products. TRAFIMET is a registered trademark of Trafimet S.p.a.

The "new revolution" in
Plasma Torches has begun...

TECMO S.r.l.

Via Rio Fabbiani 8
40067 RASTIGNANO - BOLOGNA - ITALY
Tel. 051 - 743.123 / Fax: 051 - 743.758
www.tecmo.it - e-mail tecmo@tecmo.it