

## PLASMA CUTTING

The new series of Torches  
with High Frequency Start

With “**EASY FIT**”

A revolutionary solution to save time and money

**LTE-120H**

**LTE-120M**

**LTE-150H**

**LTE-150M**

**NEW**  
Coaxial Cable

**EASY FIT**  
Patent Pending

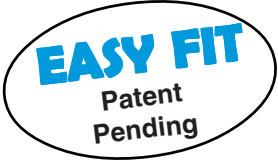
● Higher performances

● Cleaner cut

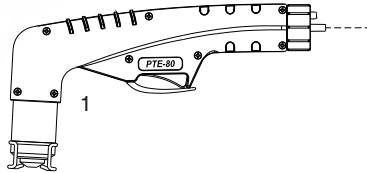
● Faster speed



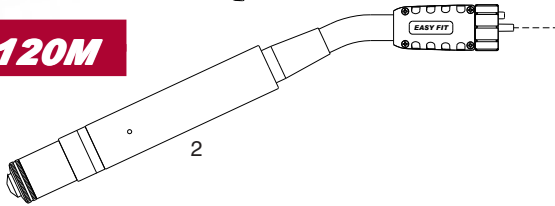
**TEC.MO.®** **LTE-Torches**



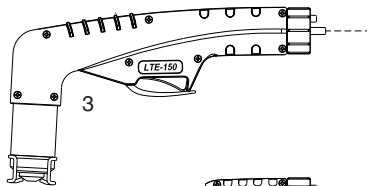
**LTE-120H**



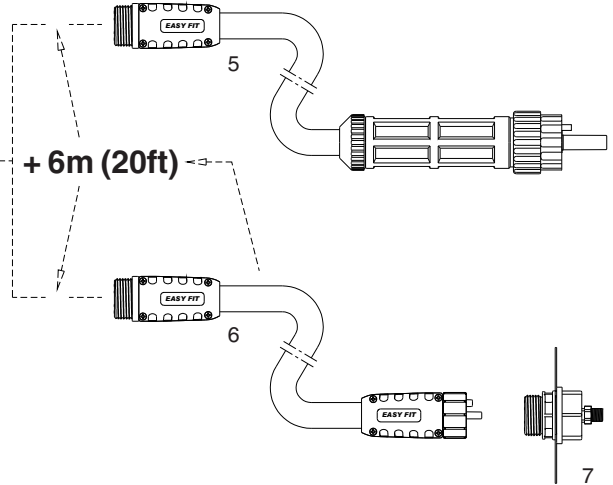
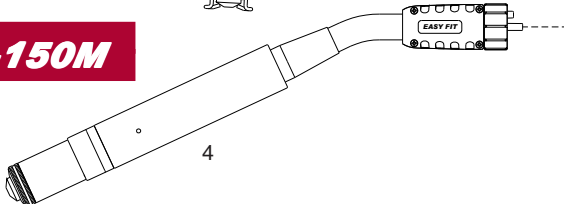
**LTE-120M**



**LTE-150H**



**LTE-150M**



**Torch heads & leads**

Item#	Description	Code #
1	<b>LTE-120H</b> Hand torch head EASY FIT, w/ handle & parts.	01201E
2	<b>LTE-120M</b> Machine torch head EASY FIT, w/positioning tube & parts	01400E
3	<b>LTE-150H</b> Hand torch head EASY FIT, w/ handle & parts.	02001E
4	<b>LTE-150M</b> Machine torch head EASY FIT, w/positioning tube & parts	04300E
5	Lead Assembly, 6m (20 ft) <b>EASY FIT, Coaxial Cable</b> with Euro Connector	09781FX
6	Extension, 6m (20 ft), complete with <b>EASY FIT, Coaxial Cable</b>	05285FX
7	<b>EASY FIT</b> Central Connection, Machine Side	05265



# LTE-120H

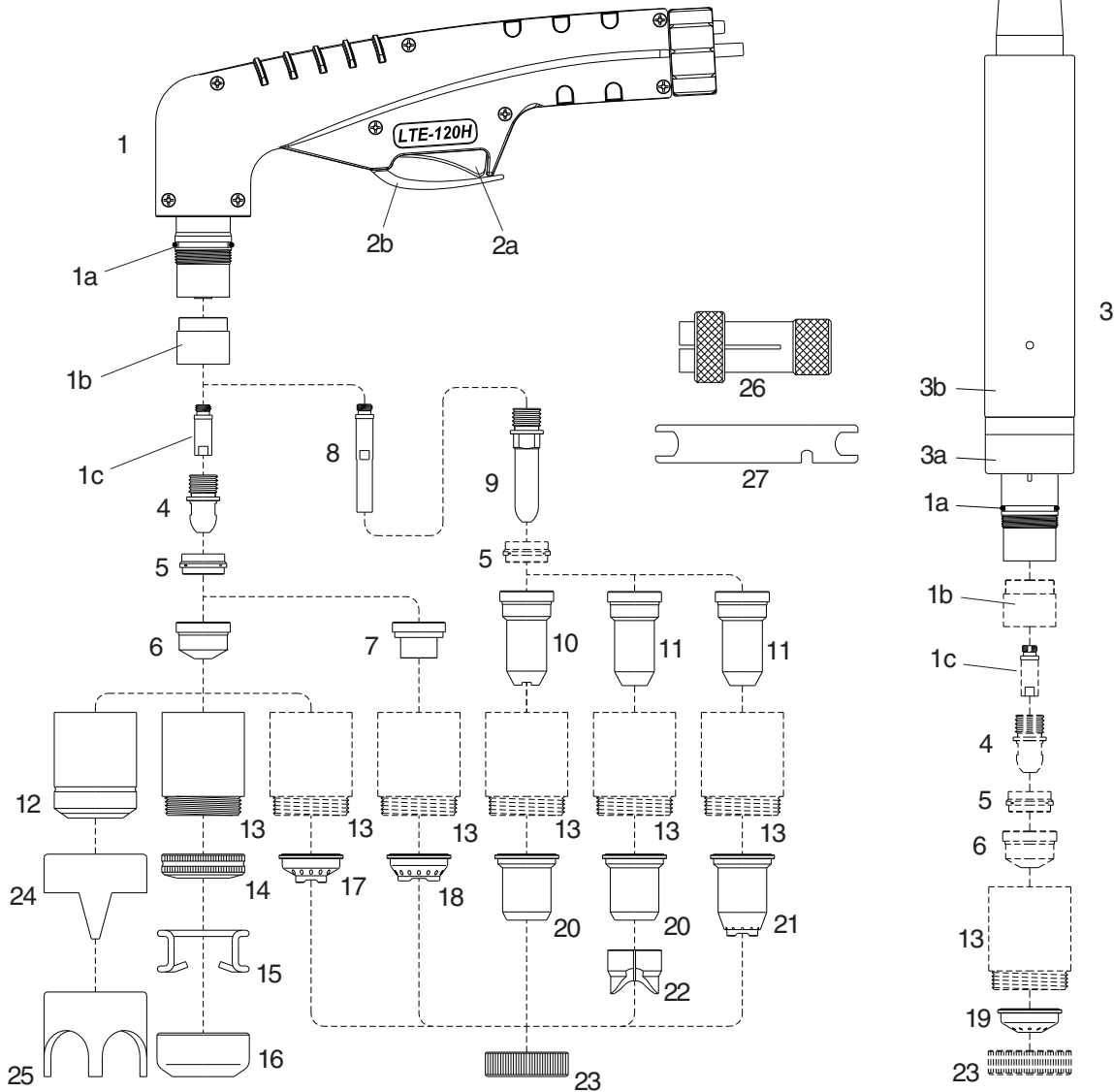
# LTE-120M

## Replacement Parts *LTE-120*

**Current :** 120Amps  
**Duty Cycle:** 120 Amps - 60%  
**Gas:** Air/N2  
**Gas Pressure:** 70 psi (4.5-5.0 bar)  
**Gas Flow:** 380 scfh (180 lpm)  
**Post Flow Time:** 90 sec. recommended  
**Pilot :** Electrode to Tip  
**Ignition:** HF

**EASY FIT**  
Patent Pending

**NEW**  
Coaxial Cable



● Standard Layout



**LTE-120H**  
**LTE-120M**

**Replacement Parts *LTE-120***

**Torch parts**

Item#	Description	Code#
	<b>H M</b>	
1 ●	<b>LTE-120H</b> Hand torch head <b>EASY FIT</b> , w/ handle & parts.	01201E
1a	O - Ring	02000.60
1b	Front insulator	60085
1c	Diffusor	06004
2a	Switch	07301.20
2b	Safety Tab	09605.42
3 ●	<b>LTE-120M</b> Machine torch head <b>EASY FIT</b> , w/ positioning tube & parts.	01400E
3a	Machine torch head	01400
3b	Positioning Tube	03310
4 ● ●	Electrode	52540
5 ● ●	Swirl ring	60020
6	Tip long life $\varnothing$ 1,10	51140/S
	Tip long life $\varnothing$ 1,35	51141/S
	● ● Tip long life $\varnothing$ 1,60	51142/S
	Gouging tip $\varnothing$ 2,4	51144.24
7	Contact tip $\varnothing$ 1,35	51410
	Contact tip $\varnothing$ 1,6	51411
8	Extended diffusor	06005
9	Extended electrode	52549
10	Extended tip ( for contact cutting max. 50A )	51148
11	Extended tip $\varnothing$ 1,35 - 90A - ( for 51958 + 51959 or 60380 )	51148.13
	Extended tip $\varnothing$ 1,6 - 120A - ( for 51958 + 51959 or 60380 )	51148.16
12	Nozzle retaining cap	60328
13 ● ●	Contact nozzle retaining cap	60348
	Contact nozzle retaining cap, Max.life	60348/V
14 ●	Spring holder protection nut	51952
15 ●	Spacer spring for code 51952	51911
16	Gouging spacer	51953
17	Spacer for contact cutting, hand ( for use with item. 6 only )	51950
18	Spacer for contact cutting, hand ( for use with item. 7 only )	51930
19 ●	Shield cup, machine ( for use with item. 6 only )	51951
20	Shield cup, hand ( max. 50A )	51957
21	Spacer for contact cutting, hand	51958
22	Spacer for extended tips High Amp.	51974
23 ●	Locking nut	51959
24	Double pointed spacer	60370
25	Crown spacer	60371
26	Extractor for swirl ring	60369
27 ● ●	Wrench for electrode	60368

**Accessories**

Circle cutting attachment	51851
Cutting guide	51807



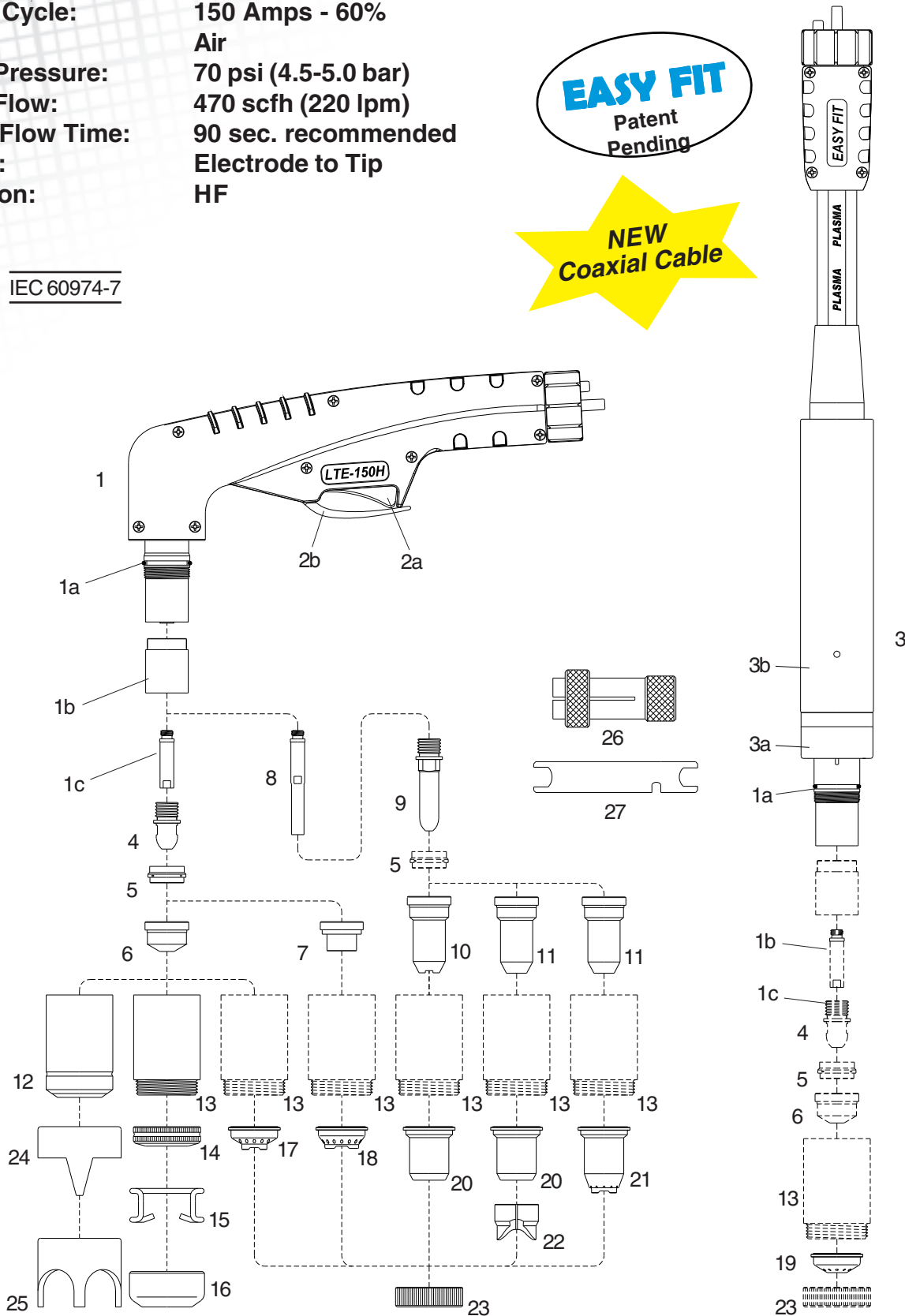
# LTE-150H LTE-150M

## Replacement Parts **LTE-150**

**Current :** 150Amps  
**Duty Cycle:** 150 Amps - 60%  
**Gas:** Air  
**Gas Pressure:** 70 psi (4.5-5.0 bar)  
**Gas Flow:** 470 scfh (220 lpm)  
**Post Flow Time:** 90 sec. recommended  
**Pilot :** Electrode to Tip  
**Ignition:** HF

**EASY FIT**  
Patent Pending

**NEW**  
Coaxial Cable



● Standard Layout





**LTE-150H**  
**LTE-150M**

**Replacement Parts LTE-150**

**Torch parts**

Item#	Description	Code#
	<b>H M</b>	
1 ●	<b>LTE-105H</b> Hand torch head <b>EASY FIT</b> , w/ handle & parts.	02001E
1a	O - Ring	02000.60
1b	Front insulator	60080
1c	Diffusor	05004
2a	Switch	07301.20
2b	Safety Tab	09605.42
3 ●	<b>LTE-150M</b> Machine torch head <b>EASY FIT</b> , w/ positioning tube & parts.	04300E
3a	Machine torch head	04300
3b	Positioning Tube	03310
4 ● ●	Electrode	52540
5 ● ●	Swirl ring	60020
6	Tip long life ø 1,10	51140/S
	Tip long life ø 1,35	51141/S
	Tip long life ø 1,60	51142/S
● ●	Tip long life ø 1,80	51143/S
	Gouging tip ø 3.0	51144
7	Contact tip ø 1,35	51410
	Contact tip ø 1,6	51411
	Contact tip ø 1,8	51412
8	Extended diffusor	05005
9	Extended electrode	52549
10	Extended tip ( for contact cutting max. 50A )	51148
11	Extended tip ø 1,35 - 90A - ( for 51958 + 51959 or 60380 )	51148.13
	Extended tip ø 1,6 - 120A - ( for 51958 + 51959 or 60380 )	51148.16
	Extended tip ø 1,8 - 150A - ( for 51958 + 51959 or 60380 )	51148.18
12	Nozzle retaining cap	60330
13 ● ●	Contact nozzle retaining cap	60350
	Contact nozzle retaining cap, Max.life	60350/V
14 ●	Spring holder protection nut	51952
15 ●	Spacer spring for code 51952	51911
16	Gouging spacer	51953
17	Spacer for contact cutting, hand ( for use with item. 6 only )	51950
18	Spacer for contact cutting, hand ( for use with item. 7 only )	51930
19 ●	Shield cup, machine ( for use with item. 6 only )	51951
20	Shield cup, hand ( max. 50A )	51957
21	Spacer for contact cutting, hand	51958
22	Spacer for extended tips High Amp.	51974
23 ●	Locking nut	51959
24	Double pointed spacer	60370
25	Crown spacer	60371
26	Extractor for swirl ring	60369
27 ● ●	Wrench for electrode	60368

**Accessories**

	Circle cutting attachment	51851
	Cutting guide	51807

